

316 Stainless Steel Millennium Tactile  
Concentric circle Black Top

PRODUCT DESCRIPTION

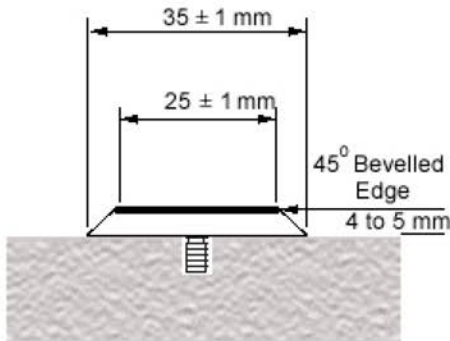
Tactile Ground Surface Warning Indicator -Our Millennium (Black Top) range is made from 316 stainless steel and features a black concentric circle polyurethane insert. The Millennium (Black Top) range comes in 2 styles, flat backed and studded, and our professional team can advise you on which type will suit your project best.

Material

316 Marine Grade Stainless Steel/Polyurethane

Finish

Mill Finish/Moulded



### Slip Resistance Testing

See Australian Standards Hand Book 198: 2014 (HB 198), "An Introductory Guide to Slip Resistance of Pedestrian Materials" in order to determine a classification of a slip resistance rating. This document outlines the minimum ratings of location and situation of a pedestrian surface.

TEST

AS/NZS 4586:2004 Appendix A

TYPE

Wet Pendulum Test

RATING

Four S slider Mean BPN = 52 Class W

TEST

AS/NZS 4586:2004 Appendix D

TYPE

OIL-WET Ramp

RATING

Mean overall acceptance angle = 28.9° Class R12

### Luminance Testing

Test results for luminance contrast on tile substrate.

TEST

AS/NZS 1428,4:2002

TYPE

Design for access & Mobility – Tactile indicator

RATING

Mean Luminance Dry = 6.1 Wet= 5.6

Compliance for Luminance contrast varies with the type of tactile used and the substrate onto which you wish to have them installed. Certification of compliance would require testing of the tactile on your surface.